

To: Natalie Welsh, BOF Chair and Mark Porter, BOF Vice-Chair
Members of the BOF

From: Jim Hayden, First Selectman

Re: FY21 Capital Request – Mini-Bus

Date: June 7, 2020

Please note that \$60,000 has been allocated by the BOS for the purchase of a Mini-Bus in **FY21**. Due to a five-month backlog by Ford, we would like to purchase this item during the summer and not wait to request it in September. The BOF usually does not meet in July and August. At its June 3, 2020 meeting, the Bos approved a capital request for the purchase of a Senior Mini-Bus for \$65,816. Since this is a request for FY21 Capital, the BOS will balance the dollars (\$5,816) when we submit our new 5-year plan in September. I have also attached information regarding the mini-bus.

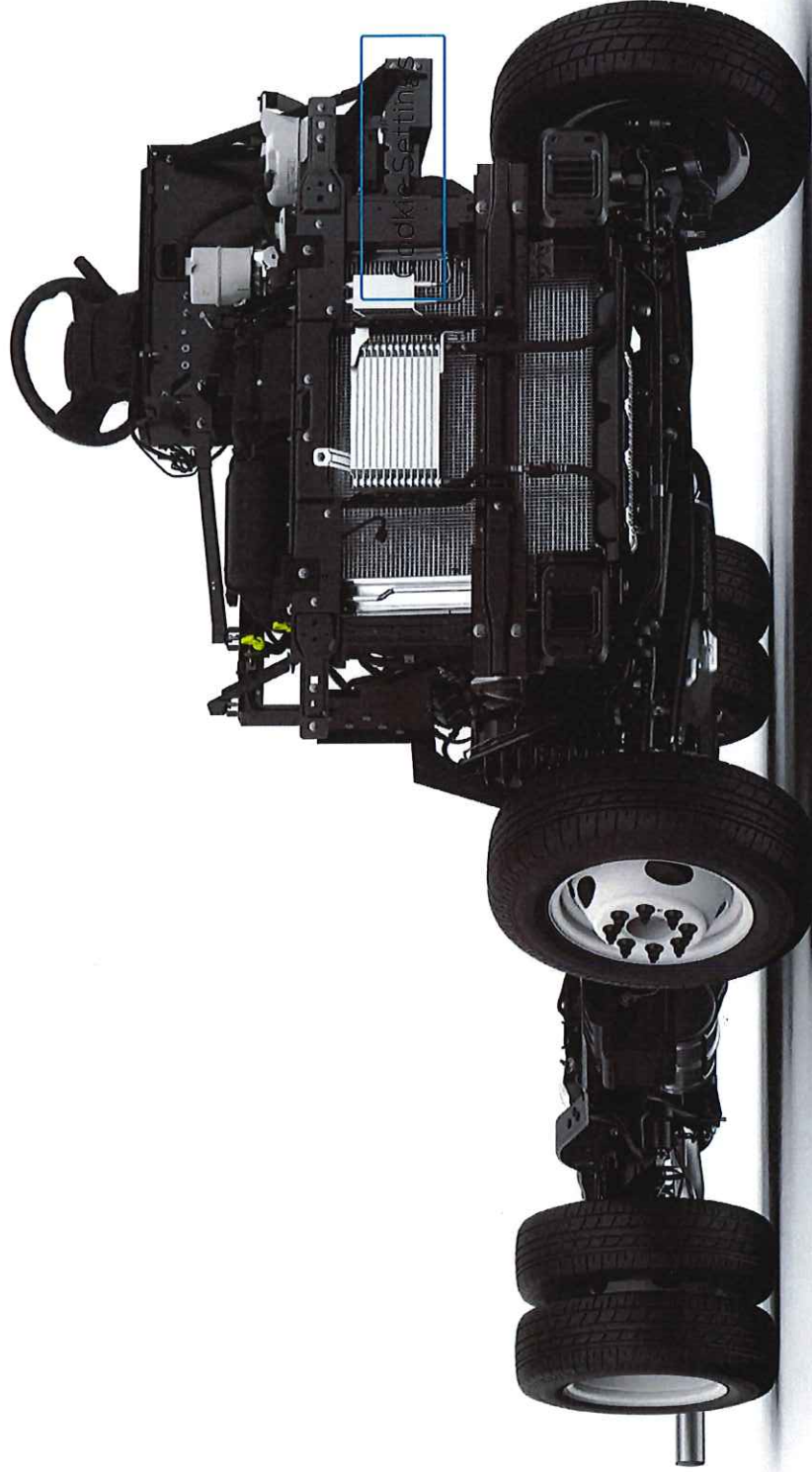
Narrative:

- We originally thought that we would initiate our planned capital purchase to replace the Senior Minibus in the fall for receipt prior to the end of 2020. Unfortunately, Ford closed down its factories due to COVID-19 and there is a five-month backlog on orders. An order placed on July 1, 2020 will not be delivered until December 2020 and it is estimated that an order placed in September will not be received until February/March 2021.
- The \$65,816 cost is inclusive and covers the cost of the chassis, bus body, wheelchair lift and exterior signage.
- Senior Services Director, Kelly Jacobs checked with the Connecticut Association of Senior Center Personnel (CASCP), and Tasca Ford from New Britain was recommended by CASCP. This vehicle is on the State of Connecticut Bid List so no other bids are required.
- The replacement need is important due to the following reasons:
 - a. The vehicle was purchased in 2006 and is fourteen years old.
 - b. The recommended “life” of a bus like ours is on a 10-year replacement cycle.
 - c. Our DPW has done a good job maintaining the vehicle over the years including engine work to repair spark plugs that physically blew out of the engine. The next repair for an issue like that would be replacement of the engine.
 - d. We do not have a properly working wheelchair lift. The current lift has been repaired several times. It sporadically fails when in use and folks have been

stuck either in or out of the bus and a few times in mid-air. When it is under repair, we don't have handicap accessibility for anyone in a wheelchair

- e. The current 14-year old bus is our one and only large capacity multi-passenger vehicle that provides transportation to our seniors and other vulnerable populations for Doctor appointments, prescription, food bank and grocery runs along with social functions such as road trips and the "lunch bunch".
- We would like to retain the current vehicle for the time being and use it for Parks & Rec including summer camp functions. Currently, a bus company moves the campers to their different events such as: swimming at Salmon Brook in Granby, bowling and other activities. The Town would save money that it currently pays to the bus provider.

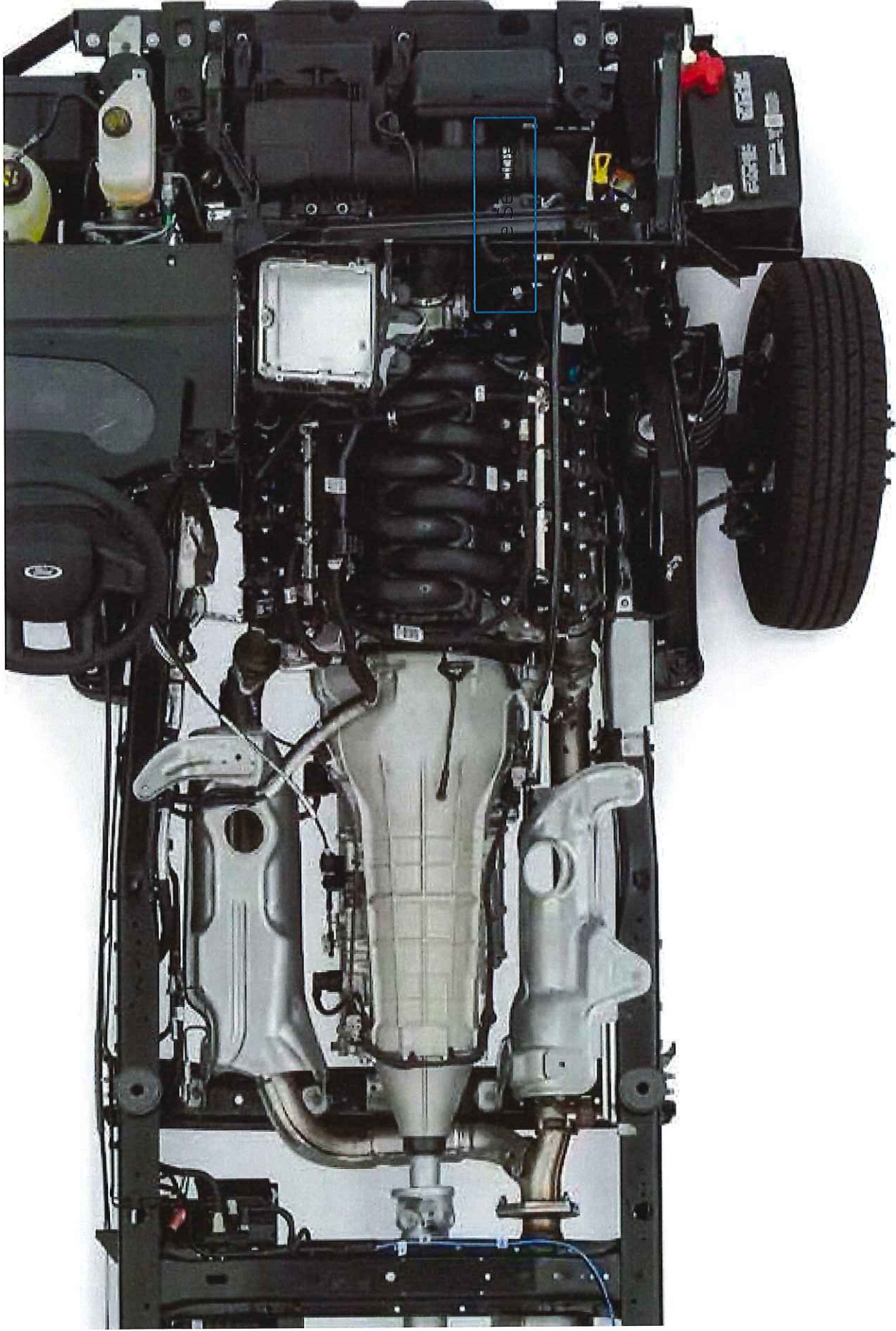
2021 E-350 Stripped Chassis



Chassis

This website uses cookies to enhance user experience and to analyze performance and traffic on our website. We also share information about your use of our site with our social media, advertising, and analytics partners. [Privacy Policy](https://www.ford.com/help/privacy/) (<https://www.ford.com/help/privacy/>).

Key Features



This website uses cookies to enhance user experience and to analyze performance and traffic on our website. We also share information about your use of our site with our social media, advertising, and analytics partners. [Privacy Policy](https://www.ford.com/help/privacy/)

Description Sheet

CNGP530

Not

VEHICLE ORDER CONFIRMATION

06/01/20 14:44:21

==>

AN INVOICE

Dealer: F11222

2021 ECONOLINE

Page: 1 of 2

Order No: 0000 Priority: H3 Ord FIN: QS048 Order Type: 5B Price Level: 120

Ord Code: 780A Cust/Flt Name: EAST GRANBY

PO Number:

RETAIL DLR INV

~~RETAIL~~ ~~DLR INV~~

E3F COM CUTAWAY VAN \$33765 \$32076.00 47B SHUTTLE BUS PKG ~~460~~ ~~419.00~~

158" WHEELBASE

.FRT LICENSE BKT

YZ OXFORD WHITE

.ENG BLK HEATER

A STD VNYL BKT ST

.FRAME PUCKS

E MEDIUM FLINT

18A EXT UPGRADE PKG ~~NC~~ ~~NC~~

780A PREF EQUIP PKG

JOB #2 ORDER

.STANDARD TRIM

FLEET SPCL ADJ NC ~~355.00~~

572 .A/C FRONT ONLY

SHUTTLE BUS DIS ~~460~~ ~~419.00~~

587 .ELEC AM/FM CLK

TOTAL BASE AND OPTIONS ~~5600~~ ~~51463.72~~

945 .AUX FUEL PORT

TOTAL ~~5600~~ ~~51463.72~~

99N 7.3L PRE ENGINE NC NC

THIS IS NOT AN INVOICE

44P ELEC 6-SPD AUTO

T68 LT225/75R16E NC NC

X85 4.56 REG X85 NC NC

516 SP TIRE NOT INC

* MORE ORDER INFO NEXT PAGE *

F8=Next

F1=Help

F2=Return to Order

F3/F12=Veh Ord Menu

F4=Submit F5=Add to Library

S006 - MORE DATA IS AVAILABLE.

QC06048

Description Sheet
Not an Invoice

CNGP530

VEHICLE ORDER CONFIRMATION

06/01/20 14:45:04

==>

Dealer: F11222

Page: 2 of 2

2021 ECONOLINE

Order No: 0000 Priority: H3 Ord FIN: QS048 Order Type: 5B Price Level: 120

Ord Code: 780A Cust/Flt Name: EAST GRANBY PO Number:

	RETAIL	DLR INV		RETAIL	DLR INV
162 FLR VINYL, FRT			SP DLR ACCT ADJ		1194.00
20C 12500# GVWR	950	919.00	SP FLT ACCT CR		946.00
425 50 STATE EMISS	NC	NC	FUEL CHARGE		15.72
47Z AMB PKG NOT REQ			B4A NET INV FLT OPT	NC	7.00
54F MIRROR, DELETE			PRICED DORA	NC	NC
57J AUX HTR CONNECT	225	223.00	DEST AND DELIV	1295	1295.00
60X RT DOOR NOT INC	(200)	(182.00)			
.P ST DEL-AB DEL			TOTAL BASE AND OPTIONS	35680	31463.72
.PASS AIRBAG DEL			TOTAL	35680	31463.72
625 RRVIEW MIRROR	NC	NC	*THIS IS NOT AN INVOICE*		
630 ALTERNATOR	160	145.00			
634 DUAL BATTERIES	245	223.00			
16" WHITE WHLS					
657 FUEL TANK 40 GL					
672 FRT MAX GAWR	40	37.00			

TOTAL BASE AND OPTIONS ~~35680~~ ~~31463.72~~

TOTAL ~~35680~~ ~~31463.72~~

THIS IS NOT AN INVOICE

F7=Prev

F2=Return to Order

F3/F12=Veh Ord Menu

F1=Help

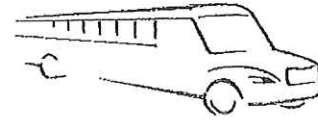
F4=Submit F5=Add to Library

S099 - PRESS F4 TO SUBMIT

QC06048

BODY

Legacy of Trust



New England Regional Office / PO Box 1069 Tolland, CT 06084
Office 860-870-9379 / Cell 860-558-0014 / www.matthewsbusescommercial.com

Town of East Granby
Senior Center

5/30/2020
Quote #DG 53020-04

Kelly Jacobs / (860) 413-3334 / kellyj@egtownhall.com

PROPOSED VEHICLE: STARTRANS SENATOR SII BUS WITH THE STANDARD EQUIPMENT AND OPTIONS LISTED BELOW

Galvanized Steel Exterior	FMVSS Certified Integrally Welded Steel Bus Body Structure	Aluminized Steel Cage Structure
Vacuum Laminated Sideswalls	Ventable 36" X 36" Transit T-Slide Windows	One Piece Seamless FRP Roof Panel
White / Light Gray FRP Interior	93" Interior width, 80" Interior height (75" with Raised Floor)	Undercoated and sealed subfloor
Gerfloor Transit Grade Flooring	5/8" CD Exterior Grade Plywood Flooring with sealed edges	Insulated Roof and Exterior walls
Door Activated Stepwell Lighting	Infinite Track Seating to allow Seat Spacing Modifications	11" Ground to First Step Height
Sound Abating Fabric Headliner	Printed Circuit Board LED Light Modular Electrical System	9.5" Risers, 11" Deep Step Treads
Curbside Modesty Panel Barrier	Dash Mounted Electrical Panel w/ Backlit Transit Grade Switches	Chrome Front Bumper and Grille
High Back Recliner Drivers Seat	LED Tail Lights, Center Brake Light, F&R Overhead Clearance Lights	Dash HVAC / AC & Heating System

THE PROPOSED VEHICLE OFFERS A CAPACITY OF 14 PASSENGER SEATS AND 2 WHEELCHAIRS PLUS THE DRIVER

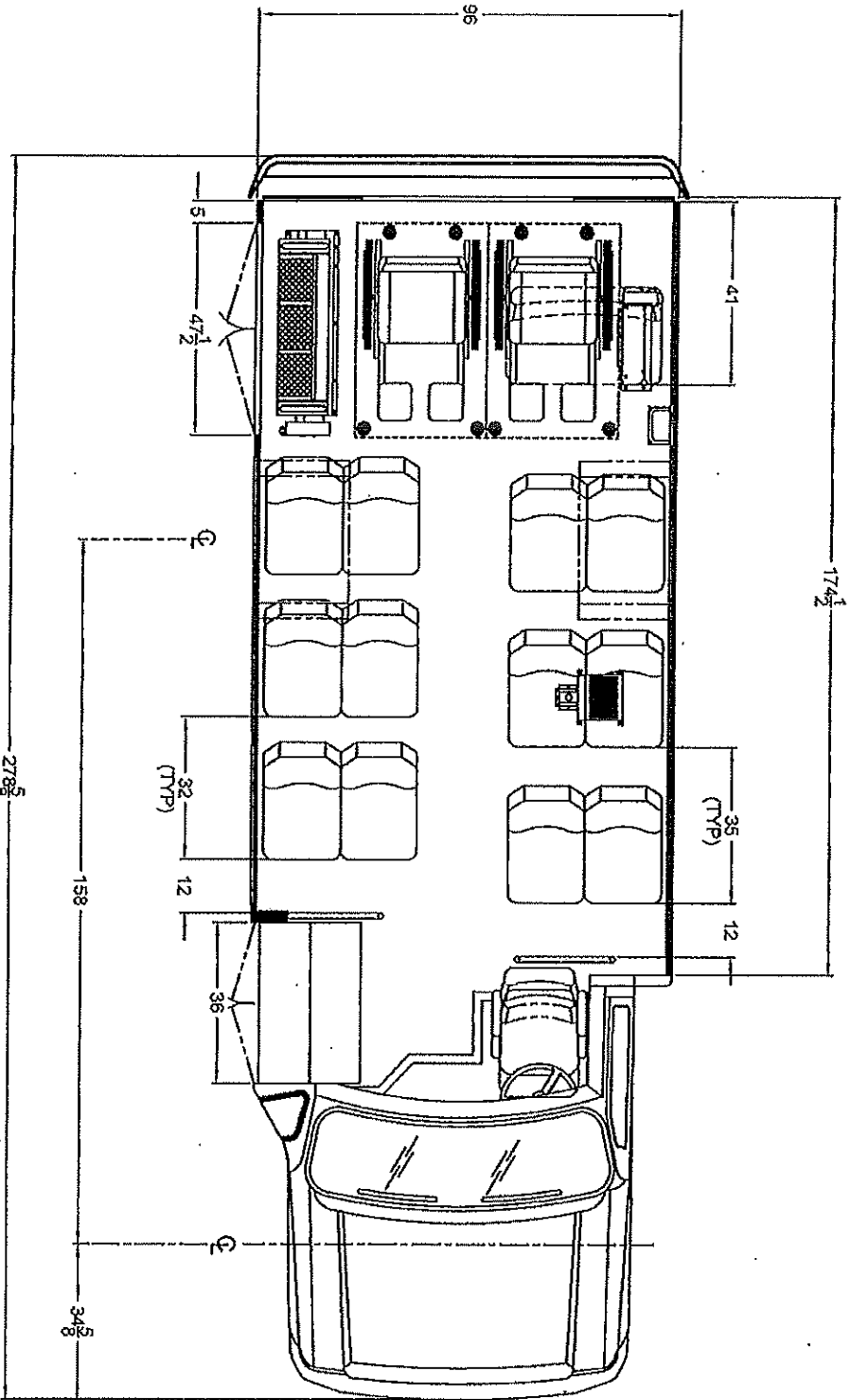
QTY	DESCRIPTION	
0	Ford E-350 Chassis	Ford E-350 / 12,500 GVWR / 158" WB Chassis, 7.3L Gasoline Engine, 6 Speed Automatic Transmission, 240 Ampere Alternator, Dual Batteries, Dash HVAC, Chrome Bumper, F&R Disc Brakes.
1	Senator SII 22	Startrans Senator SII Bus with Standard Equipment listed above / 278" Overall Length
1	BODY	
1	INDUSTRY EXCLUSIVE 5 YEAR OR 100,000 MILE WARRANTY ON THE COMPLETE BUS BODY AND SUB COMPONENTS	
1	INTEGRALLY WELDED ALUMINIZED STEEL CAGE STRUCTURE MEETING ALL APPLICABLE FMVSS REGULATIONS	
1	7 YEAR / 200,000 MILE ALTOONA TESTED, FORD QVM COMPLIANT, ISO CERTIFIED, BUY AMERICA COMPLIANT	
1	RE-ROUTE EXHAUST TO DRIVERS SIDE OF BUS EXITING FORWARD OF THE REAR BUMPER	
1	DRIVERS ENTRY ASSIST RUNNING BOARD CONSTRUCTED OF ALUMINUM DIAMOND PLATE / 8" WIDE	
1	ENGINE HIGH IDLER / RAISES ENGINE IDLE TO 1500 RPM FOR PROPER ALTERNATOR AND AC PERFORMANCE	
1	FRONT RUBBER MUD FLAPS / BOTH SIDES / REAR MUDFLAPS ARE STANDARD	
1	TRANSIT STYLE REAR BUMPER / SHOCK ABSORBING BUMPER	
1	MOR RYDE SUSPENSION SYSTEM / REAR OF BUS RIDE ENHANCEMENT UPGRADE	
1	FRONT SUSPENSION ALIGNMENT WITH ADJUSTABLE ECCENTRIC PERFORMED PRIOR TO DELIVERY	
1	ROSCO TRANSIT GRADE BREAKAWAY REARVIEW EXTERIOR MIRRORS WITH INTEGRAL LOWER CONVEX	
1	INTERIOR REARVIEW MIRROR / 7" X 10" CONVEX MIRROR MOUNTED OVER DRIVER	
1	UPGRADE TO 3/4" MARINE GRADE PLYWOOD SUBFLOORING WITH SEALED EDGES	
1	STANDEE LINE / WHITE FLUSH MOUNTED LINE AT FORWARD EDGE OF PASSENGER COMPARTMENT	
1	GERFLOOR SIRIUS TRANSIT FLOORING / GRAPHITE BLACK WITH HOT WELDED SEAMS / SMOOTH THROUGHOUT	
1	HEADLINER / GRAY SEA SPRAY CLOTH WITH GRAY FRP WALLS, GRAY VINYL TRIM, AND GRAY VINYL CABLINER	
1	ELECTRICALLY CONTROLLED PASSENGER ENTRANCE DOOR / 32" WIDE CLEAR OPENING X 80" HIGH	
1	REAR DOOR WITH UPPER WINDOW AND DOOR AJAR BUZZER / 36" WIDE X 60" HIGH	
1	TWIN REAR WINDOWS EACH SIDE OF REAR DOOR OR REAR WALL WINDOW	
1	HEATER / 35,000 BTU CAPACITY HEATER IN PASSENGER COMPARTMENT / FLOOR MOUNT	
1	HEATER / 65,000 BTU CAPACITY HEATER IN PASSENGER COMPARTMENT / SEAT MOUNT	
1	HEATER / ENTRANCE STEPWELL HEATER / BOTTOM STEP / ELECTRIC TYPE	
1	AIR CONDITIONING / 70,000 BTU CAPACITY AC IN PASSENGER COMPARTMENT (DUAL COMPRESSOR)	

1	INTERMOTIVE WHEELCHAIR SAFETY INTERLOCK AND ENGINE IDLER / PROHIBITS VEHICLE MOTION FOR LIFT OPERATION
1	WHEELCHAIR ACCESS DOOR / DUAL PANEL WITH WINDOWS, AJAR BUZZER, AND ADDITIONAL CURBSIDE LEAF SPRING
1	BRAUN NCL919FIBHB-2 / ADA AND FMVSS COMPLIANT WHEELCHAIR LIFT WITH 34" X 51" PLATFORM
1	BRAUN LIFT PLATFORM SAFETY BELT TRANSVERSING YELLOW PLATFORM HANDRAILS
2	Q'STRAIT QRT 360 SYSTEM WITH SLIDE-N-CLICK ATTACHMENT / Q-8-6326-A1-SC WITH RETRACTABLE SHOULDER BELT
2	Q'STRAIT STORAGE POUCH / WALL MOUNTED ADJACENT TO THE WHEELCHAIR POSITION
1	DRIVERS HIGH BACK RECLINER / FREEDMAN SHIELD WITH LUMBAR SUPPORT AND RIGHT SIDE ARMREST
8	MID BACK DOUBLE PASSENGER SEAT / FREEDMAN SEATING / TWO PASSENGER SEAT
1	FOLD AWAY / MID BACK DOUBLE PASSENGER SEAT / FREEDMAN SEATING / TWO PASSENGER SEAT
14	SEATBELTS / USR AMSAFE / UNDER SEAT RETRACTABLE PASSENGER SEATBELTS
7	US ARMRESTS AT AISLE POSITIONS / MOLDED RUBBER FOLDING ARMREST
7	GRAB HANDLE / MOLDED RUBBER SEAT TOP GRAB HANDLE AT EACH AISLE POSITION
14	UPGRADE TO LEVEL # 4 PASSENGER SEAT UPHOLSTERY
1	AUDIO / AM/FM/CD/CLOCK RADIO WITH BLUE TOOTH AND 4 SPEAKERS
1	STORAGE AREA ABOVE WINDSHIELD WITH LATCHING HINGED COVER AND CARPETED INTERIOR
1	DRIVERS MODESTY PANEL SECURED TO STAINLESS STEEL STANCHION POLES
1	WALKER STORAGE AT REAR OF BUS WITH D RINGS AND NYLON CINCH STRAPS
1	SAFETY EQUIPMENT / BACKUP ALARM, 16 UNIT FIRST AID KIT, 5# FIRE EXTINGUISHER, AND TRIANGLE REFLECTORS
1	BACKUP CAMERA SYSTEM WITH REARVIEW MIRROR INTEGRATED LCD MONITOR / ALLOWS VIEW TO REAR OF VEHICLE
1	GRABRAILS / DUAL ANGLED STAINLESS STEEL GRABRAILS BOTH SIDES OF ENTRY STEPWELL
1	GRABRAILS / VERTICAL ENTRY GRABRAIL AT TOP OF ENTRY STEPWELL
1	COMPOSITE EXTERIOR SKIN / HIGH GLOSS COMPOSITE SHEET IN LIEU OF GALVANIZED STEEL
1	UPGRADE TO STAINLESS STEEL STEPWELL ASSEMBLY IN LIEU OF POWDER COAT PAINTED STEEL
1	FLEXTech / MULTIPLEX ELECTRICAL SYSTEM WITH SAFETY SUITE (ENTRY DOOR, LIGHTS, AND SPEED INTERFACE)
1	LIGHTING CONTROL / INTERIOR LIGHTS TO ILLUMINATE WHEN ENTRANCE DOOR OPENS
1	LED INTERIOR LIGHTS / BROAD SPECTRUM LED LIGHTING WITH DRIVER MASTER CONTROL
1	LED DRIVER LIGHT / BROAD SPECTRUM LED LIGHT OVER DRIVER WITH DASH SWITCH AND DOOR ACTIVATION
1	LED STEPWELL LIGHT ACTIVATED BY DOOR OPENING / LED LICENSE PLATE LIGHT
1	LED TAIL LIGHTS / RED MARKER & BRAKE, AMBER TURN SIGNALS, CLEAR BACKUP / ALL RUBBER GROMMET MOUNTED
1	LED CENTER BRAKE LIGHT MOUNTED ABOVE REAR DOOR / WINDOW
1	LED CLEARANCE AND MARKER LIGHTS / 5 AMBER ON FRONT AND 7 RED AT REAR (RECESSED FOR PROTECTION)
1	LED MID BODY MOUNTED MARKER AND TURN SIGNALS WITH ARMOR GUARD
1	LIGHT - EXTERIOR HOODED AND INTERIOR COURTESY LIGHT AT ENTRANCE DOOR (ADA REQUIRED)
1	BRIGHT WHITE EXTERIOR TO ENHANCE GRAPHICS CONTRAST (MATCHING CHASSIS CAB INCLUDING DOOR JAMBS)
1	STRIPES / 6" WIDE STRIPE WITH ACCENT DESIGN ON SIDES OF BUS / CHOICE OF BLUE, GREEN, OR BURGUNDY
1	PAINT / WINDOW BLACKOUT / GLOSS BLACK PAINT AROUND ALL PASSENGER COMPARTMENT WINDOWS
1	LETTERING / AGENCY LETTERING AND LOGO PLACEMENT IN HIGH PERFORMANCE VINYL
1	CT DMV INSPECTION WILL BE SECURED TO ACCOMODATE A SERVICE BUS REGISTRATION

WE ARE PLEASE TO QUOTE EXCLUSIVE OF APPLICABLE TAXES AND DELIVERED TO YOUR FACILITY **\$39,165**

Quoted by Doug Gifford / Commercial Sales Manager / dglifford@matthewsbusescommercial.com
All factory concessions have been calculated into this proposal and may require endorsement at the time of delivery.
Delivery is anticipated within 90 days of receipt of the completed order. This proposal is valid for 30 days.

Thank You for this opportunity!!



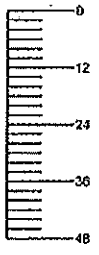
DEALER APPROVAL

APPROVED

CUSTOMER SIGNATURE

NOTE: SHOWN WITH MID HI FREEDMAN SEATS
 SENATOR II E-350 12,500 GVWR
 THIS FLOOR PLAN IS FOR ILLUSTRATION PURPOSES ONLY.
 A WEIGHT ANALYSIS HAS NOT YET BEEN PERFORMED.
 FINAL APPROVAL WITH A WEIGHT ANALYSIS IS REQUIRED UPON RECEIPT OF A
 COMPLETED ORDER WITH ALL OPTIONS SHOWN.
 OPTIONAL EQUIPMENT MAY BE SHOWN.
 THE SALES ORDER PLACED DICTATES ACTUAL OPTION CONTENT.

SCALE
 IN INCHES



THIS DRAWING AND THE INFORMATION THEREON ARE THE EXCLUSIVE PROPERTY OF STARTRAMS BUS, A DIVISION OF FOREST RIVER. IT SHALL NOT BE COPIED OR REPRODUCED IN ANY MANNER, NOR SHALL IT BE SUBMITTED TO OUTSIDE PARTIES FOR EXAMINATION WITHOUT OUR WRITTEN CONSENT. IT IS LOANED FOR USE WITH REFERENCE TO WORK UNDER CONTRACT WITH, OR PROPOSALS SUBMITTED TO STARTRAMS BUS, A DIVISION OF FOREST RIVER.

REV.	DESCRIPTION OF CHANGE	BY	CHK	DATE	ECN No.

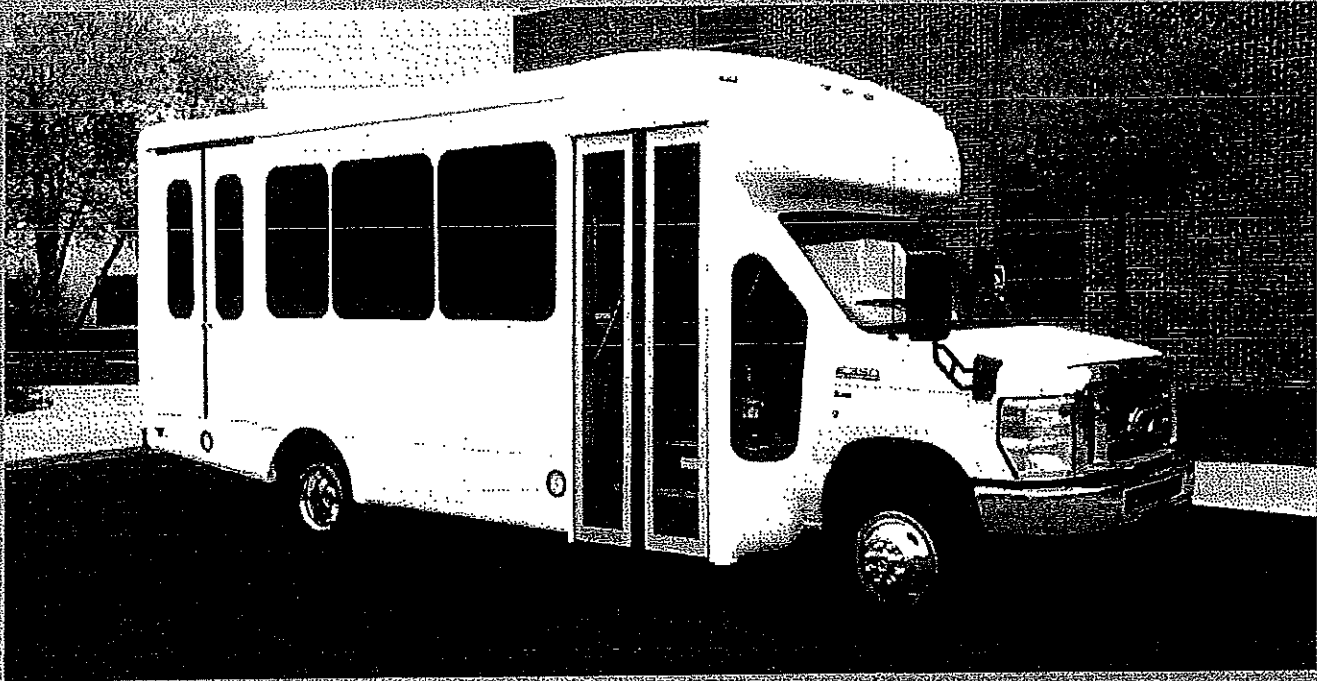
TOLERANCE UNLESS OTHERWISE SPECIFIED

WOOD	± 1/8"	DATE	07/29/15	TITLE	12.2 WC 150" W8 153 BODY
OTHER	± 1/16"	NAME	JPC		22 SENATOR II

DWG. No. 12.2 WC DBL FOLD 158 153-24 USA

STARTRAMS • Division of Forest River, Inc.

► The Senator II



► As a leader in the medium-duty transit bus industry, the Senator II is backed by StarTrans' commitment to excellence. That's why design, durability and attention to detail are at the forefront of how we do business.

Design. When it comes to design, the Senator II delivers. Engineered to accommodate a variety of seating arrangements, including wheelchair accessibility and various storage options in luggage, the Senator II gives you the versatility you need to meet your passengers' needs.

Durability. All of our products undergo a series of rugged testing procedures in Altoona, Pennsylvania, to ensure their structural integrity and we back our buses with a 5-year/75,000 mile body structural warranty.

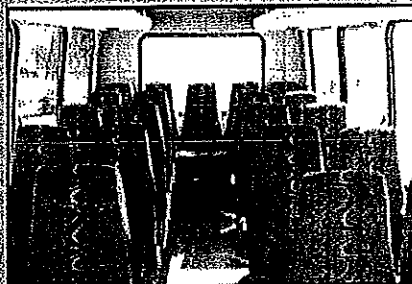
Detail. StarTrans Bus doesn't take a backseat when it comes to passenger convenience and comfort. Wide aisles and doors for easy accessibility, spacious luggage racks, large windows and straight side wall construction to maximize passenger shoulder space are just some of the benefits of the Senator II.

If you need buses that perform well, look great and deliver on promises, look to the Senator II from StarTrans Bus.

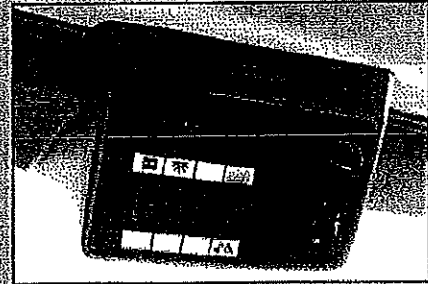
► Senator II Features | Features to Meet Your Specific Needs



Optional ADA wheelchair lift mounted in the rear of the bus



Optional high-back seats, upholstery, padded cloth walls and ceiling, and overhead luggage racks



Driver's switch panel conveniently located within view of the road and not on the engine cover



**Matthews Buses
Commercial**

800-330-1175 / matthewsbusescommercial.com

► The Senator II



► Standard Exterior Feature Highlights

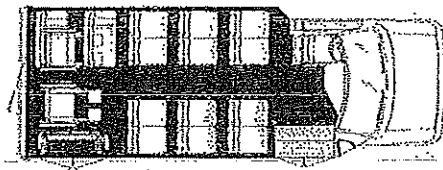
- Fully welded aluminized steel cage construction with laminated sidewall structure meeting all applicable FMVSS requirements
- "Starview" drivers visibility window in front of entry door
- Electric actuated passenger entry door with full length glass
- 36" wide x 36" high upper double T-Slider tempered safety glass windows with climate control tint
- Black powder coated steel rear bumper
- Rear mud flaps
- Pre-painted white galvanized steel sidewalls and skirts
- Fiberglass front and rear caps
- One-piece seamless FRP (fiberglass reinforced plastic) roof
- Breakaway rearview mirrors with built-in convex
- Sealed LED stop, tail, and turn signal lights with reverse lights
- Exterior LED front and rear marker lights

► Standard Interior Feature Highlights

- 93" interior width
- 80" interior floor to ceiling height with standard floor (raised floor is 75")
- Floor and wall seat track for flexible seating
- Black slip resistant floor covering
- 5/8" exterior grade plywood flooring
- Ceiling and rear wall fabric for sound abatement
- White step nosing at passenger door
- 1.25" left hand vertical passenger assist rail at entry door
- Printed circuit board with automotive type fuses and LED trouble shooting lights
- LED Entry door step well lights
- LED driver and passenger area lighting
- Non-retractable seat belts

► Popular Option Highlights

- Stainless steel wheel inserts
- Luggage storage areas (overhead luggage racks with reading lights, interior luggage racks, rear storage area)
- Rear emergency door with window(s)
- Passenger area rear heat and air conditioning
- Complete rubber flooring
- Passenger grab rails
- Padded vinyl or FRP walls and ceiling
- Audio and video systems
- Mid back or high back seating
- ADA and FMVSS compliant wheel chair lifts and securement systems
- Fiberglass side walls and skirts



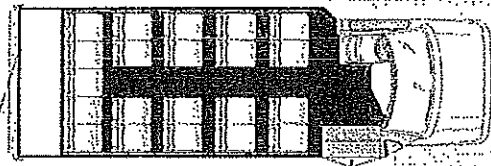
12 Passenger 2 Wheelchair = 14
4 Passenger Foldaway Seats Plus Driver



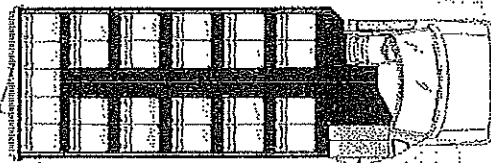
16 Passenger 2 Wheelchair
4 Passenger Foldaway Seats Plus Driver



20 Passenger with Interior Luggage Plus Driver



21 Passenger with Rear Luggage Plus Driver



25 Passenger Plus Driver



Due to our commitment to product quality, specifications and options are subject to change without notice in the interest of product improvement and market changes.

Scan this barcode using a QR Reader on your smart phone to learn more about Forest River.

StarTrans Bus, a division of Forest River, Inc., is owned by Berkshire Hathaway, one of the most respected and financially secure companies in the industry.



© 2015 StarTrans Bus, a Division of Forest River, Inc., a Berkshire Hathaway company. All Rights Reserved.
2367 Century Drive • Goshen, IN 46528 • TEL: No. 317-017-0415
1-800-348-7440 • Fax: 574-642-3301