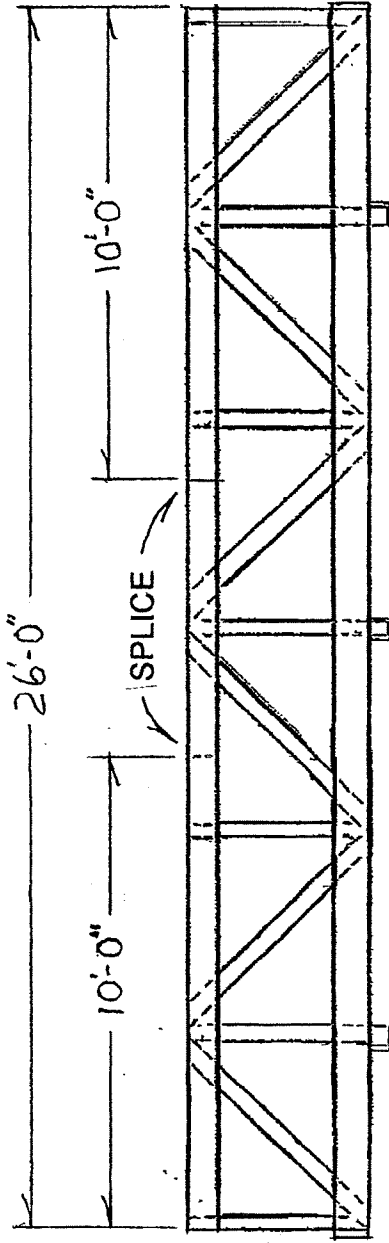
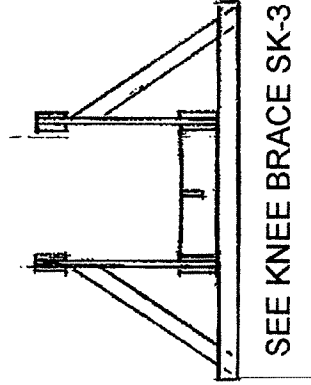


DECK FRAME PLAN



TRUSS ASSY ELEV  
MODIFIED WARREN PONY TRUSS



SEE KNEE BRACE SK-3

1/4" = 1'

EGLT

TOM & GINNIE HOWARD BRIDGE

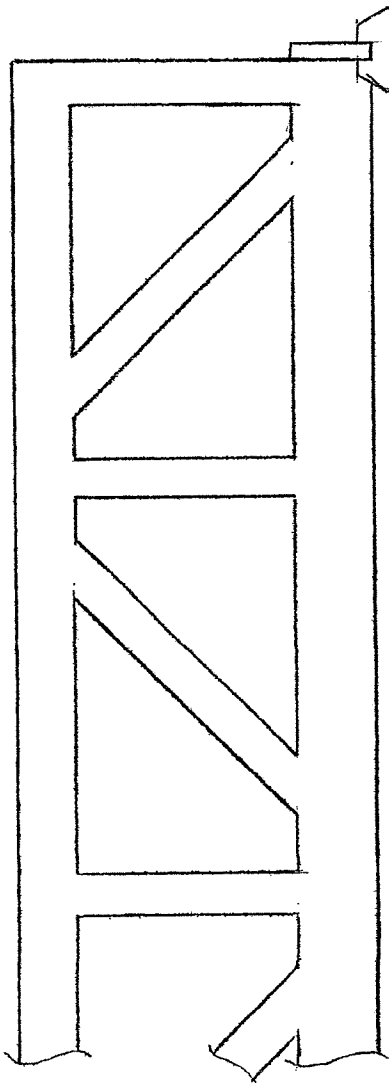
SUGGESTED DESIGN SK-1.1 SUPERCEDES SK-1

SK-1.1

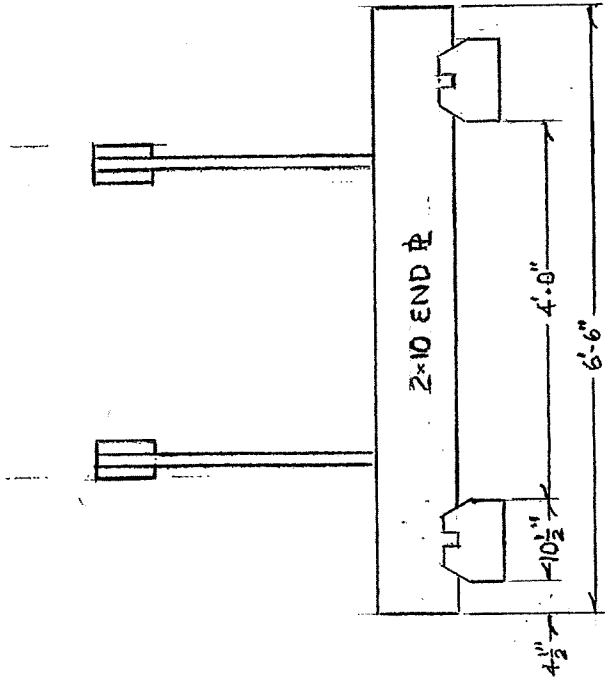
JMC 11-30-22

NOTES:

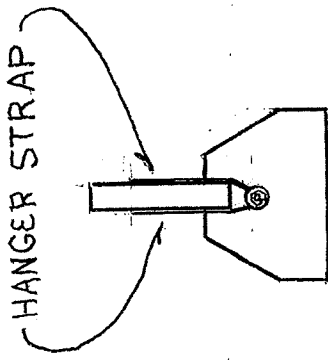
1. ALL LUMBER PRESSURE TREATED FOR OUTDOOR USE.
2. UPPER CHORD 2x8, LOWER CHORD 2x10 LUMBER.
3. 30" SPLICE AT INDICATED JOINTS.
4. ALL WEB MEMBERS AND KNEE BRACE 2x6 LUMBER.
5. END PL AND DECK CROSS BEAMS 2x10 LUMBER.
6. DECK STRINGER 2x6 LUMBER.



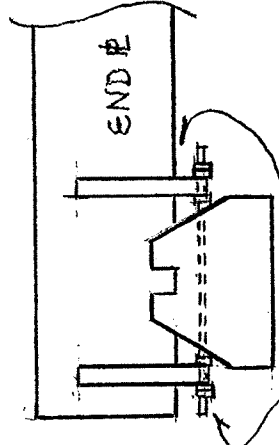
11x11 CONCRETE DECK BLOCK  
SEE DETAIL "A"



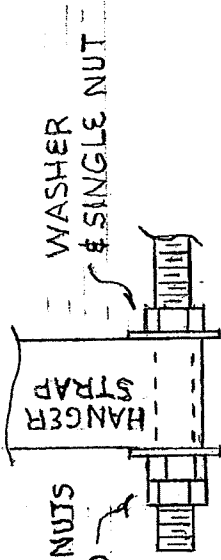
1/2" = 1'



3/8" x 18" THREADED ROD  
NUTS & WASHER  
SEE DETAIL "B"



18" HANGER STRAP  
BENT UNDER ROD  
& SCREWED TO END POST



DETAIL "B" 1/2" = 1'

WASHER & 2 NUTS  
JAMMED

WASHER  
& SINGLE NUT

EGLT  
TOM & GINNIE HOWARD BRIDGE  
SUGGESTED FOOTING

DETAIL "A" 1" = 1'

SK-2

JMC 11/30/22